

# Hopper Topper Transfer Pump System



## FEATURES & BENEFITS

- ALL STAINLESS STEEL PISTON PUMP UNIT.
- MOBILE ALL STAINLESS STEEL CONSTRUCTION STAND.
- ADJUSTABLE HEIGHT TO SUIT CUSTOMER'S MIXING BOWL.
- UNIQUE TILTING MECHANISM ALLOWS FOR EASY CHANGING OF BOWLS.
- AUTOMATIC START/STOP HOPPER LEVEL CONTROL SENSOR, ENCLOSED IN A NEMA 4X CONTROL BOX.
- 2" DIAMETER FLEXIBLE OUTLET HOSE WITH "U" PIPE ON THE END TO HOOK ONTO THE RIM OF THE HOPPER.

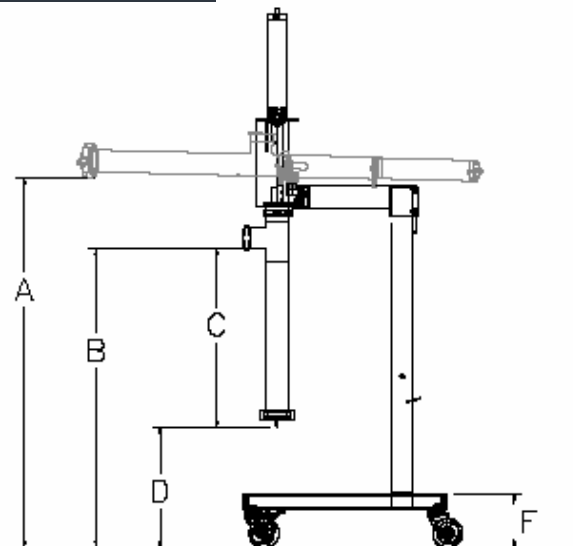
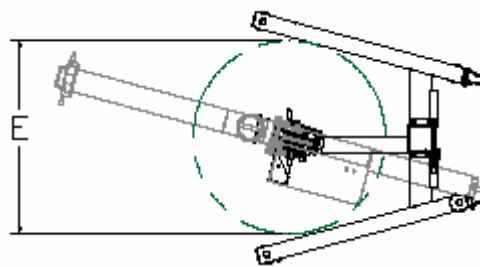


# Technical Specs

## Hopper Topper Transfer Pump System

	ECONO
<b>Power</b>	Air/Electric 100 PSI @ 4CFM, 110V, 1 Amp, single phase or 220V 6.9 Bar @ 226.5 litres/minute
<b>Speed</b>	Variable with air pressure regulator.
<b>Volume</b>	11 - 49 litres / min
<b>Cube Size</b>	Up to 25 mm cube soft fruit or similar.
<b>Dimensions (mm)</b>	1474 (l) x 762 (w) x 840 (h)
<b>Max. Bowl Height</b>	Rim 1110 mm from ground level.
<b>Max. Reach - to bottom of bowl</b>	660 mm from the bowl rim.
<b>Weight</b>	113 kg

<b>A</b>	Tilt Height	1290 mm
<b>B</b>	Maximum Bowl rim clearance in up position	1040 mm
<b>C</b>	Distance between Pump inlet and outlet (Maximum Bowl Depth)	620 mm
<b>D</b>	Maximum pump to floor clearance	420 mm
<b>E</b>	Inside Width	636 mm
<b>F</b>	Bottom Frame Height	153 mm



### Contact Details

#### HEAD OFFICE, EXPORTS & CAPE TOWN BRANCH

Private Bag X7, Kuils River, 7579,  
South Africa.

Tel : +27 (21) 907-1000

Fax : +27 (21) 907-1111

#### JOHANNESBURG BRANCH

Tel : (011) 472-4100

Fax : (011) 472-4154

#### DURBAN BRANCH

Tel : (031) 569-6290

Fax : (031) 569-6296

#### EMAIL

info@macadams.co.za

#### WEBSITE

www.macadams.co.za

We reserve the right to both  
technical and design  
modifications.

February 2009

The Company. The People. The Products.

