

Macadams Manual Slicers



FEATURES & BENEFITS

- CARRIAGE INTERLOCK.
- CONTOURED CARBON STEEL, 300 mm KNIFE.
- POLY V-BELT DRIVE SYSTEM.
- SUITABLE FOR KITCHEN & DELI OPERATIONS.
- MEDIUM DUTY.
- GAUGE PLATE INTERLOCK.
- DESIGNED FOR EASY CLEANING.
- OPTIONAL CARRIAGE GAUGE.



Technical Specs

Macadams Manual Slicer

	THE EDGE / EG612 SERIES
Electrical	200 - 220V, 50 - 60Hz, 1 phase
Power Cord	3 wire supply, 1830mm cord
Motor	1/3 H.P.
Drive	Ply V-Belt
Knife Speed	370 R.P.M
Blade Material	Carbon steel
Blade Diameter (mm)	298 mm, nominal 300 m
Carriage Travel	248 mm, manual travel
Carriage Capacity (mm)	184 (w) x 197 (dia)
Dimensions (mm)	533 (w) x 572 (d) x 470 (h)
Weight:	
Net	28.6 kg
Shipping	37.6 kg

Contact Details

HEAD OFFICE, EXPORTS &

CAPE TOWN BRANCH

Private Bag x7, Kuils River, 7579,
South Africa.

Tel : +27 (21) 907-1000

Fax : +27 (21) 907-1111

JOHANNESBURG BRANCH

Tel : (011) 472-4100

Fax : (011) 472-4154

DURBAN BRANCH

Tel : (031) 569-6290

Fax : (031) 569-6296

EMAIL

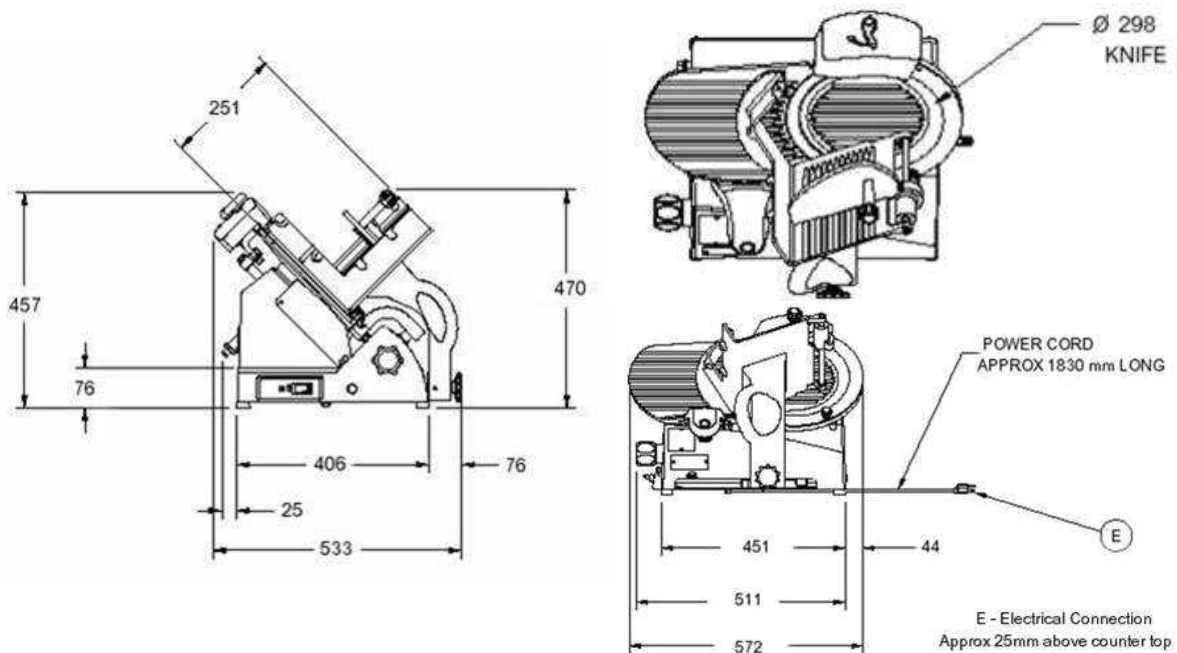
info@macadams.co.za

WEBSITE

www.macadams.co.za

We reserve the right to both
technical and design
modifications.

February 2009



The Company. The People. The Products.

