

# Macadams Pressure Fryer



## FEATURES & BENEFITS



### PRESSURE FRYER

- HIGH PRESSURE/ LOW TEMPERATURE TECHNOLOGY.
- 4-HEAD CONFIGURATION.
- COOKS: CHICKEN, FISH, ONION RINGS, POTATO WEDGES, EGG ROLLS, BISCUITS & MANY MORE.

# Technical Specs

## Macadams Pressure Fryer

### Contact Details

#### HEAD OFFICE, EXPORTS &

#### CAPE TOWN BRANCH

Private Bag x7, Kuils River, 7579,  
South Africa.

Tel : +27 (21) 907-1000

Fax : +27 (21) 907-1111

#### JOHANNESBURG BRANCH

Tel : (011) 472-4100

Fax : (011) 472-4154

#### DURBAN BRANCH

Tel : (031) 569-6290

Fax : (031) 569-6296

#### EMAIL

info@macadams.co.za

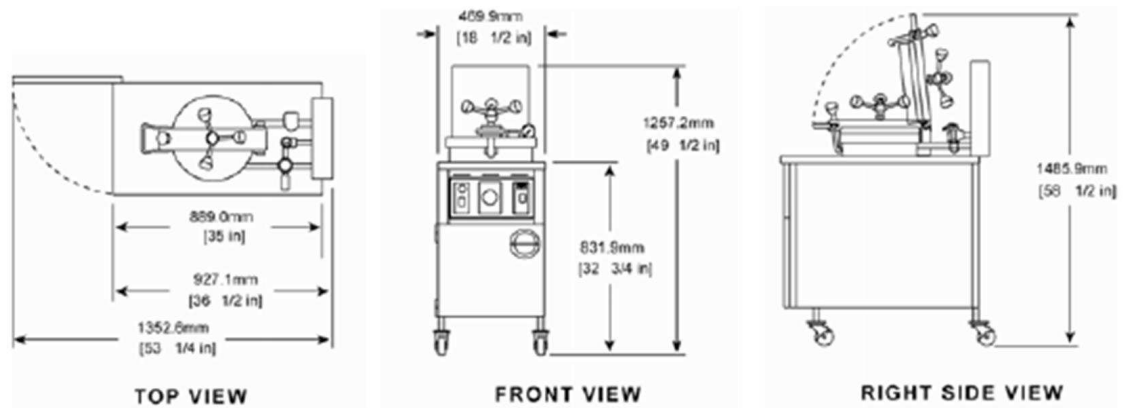
#### WEBSITE

www.macadams.co.za

We reserve the right to both  
technical and design  
modifications.

MAY 2010

	LPF, LPF-F, LPF-FC
Capacity	22.4 L
Productivity	6.4kg Chicken per batch
Power	13.5 kW, 220 V 50 Hz, 68.7 Amps Single Phase
Operating PSI	12 psi
Max Temp.	200°C
Dimensions	469.9 (w) x 927.1 (d) x 831.9 (h) mm
Weight	136.1 kg



The Company. The People. The Products.

