

Macadams Pressure Fryer



FEATURES & BENEFITS



PRESSURE FRYER

- VLP/T TECHNOLOGY - VERY HIGH PRESSURE/ LOW TEMPERATURE.
- 4-HEAD CONFIGURATION.
- COOKS: CHICKEN, FISH, ONION RINGS, POTATO WEDGES, EGG ROLLS, BISCUITS & MANY MORE.

Technical Specs

Macadams Pressure Fryer

Contact Details

HEAD OFFICE, EXPORTS & CAPE TOWN BRANCH

Private Bag x7, Kuils River, 7579,
South Africa.

Tel : +27 (21) 907-1000

Fax : +27 (21) 907-1111

JOHANNESBURG BRANCH

Tel : (011) 472-4100

Fax : (011) 472-4154

DURBAN BRANCH

Tel : (031) 569-6290

Fax : (031) 569-6296

EMAIL

info@macadams.co.za

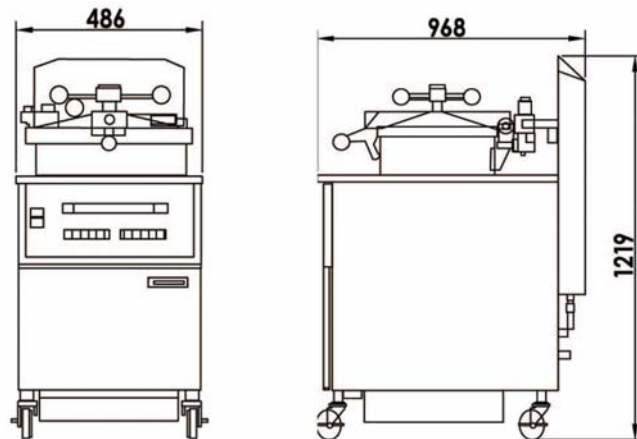
WEBSITE

www.macadams.co.za

We reserve the right to both
technical and design
modifications.

MAY 2010

| | SFF-P25E |
|----------------|------------------------------|
| Capacity | 22.4 L |
| Productivity | 6.4kg Chicken per batch |
| Power | 12kW |
| Rated Pressure | 0.085 MPa |
| Max Temp. | 200°C |
| Dimensions | 486(w) x 968(d) x 1219(h) mm |



The Company. The People. The Products.

