

Manual Control Chicken Griller - 7 Basket



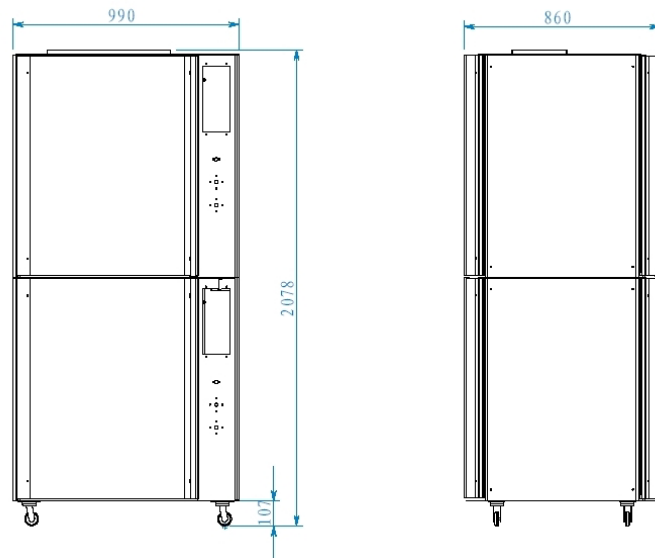
FEATURES & BENEFITS

- 7 baskets, 35 chickens.
- Double glazed front door.
- Manual control.
- Internal halogen lights to enhance point of sale.
- Stainless steel interior & exterior.
- Inner panels are non-stick with teflon treatment.
- Removable fat tray with drip covers.



Technical Specs

SR7 - PT2	
Electrical:	
Power Rating (kW)	9
Control Voltage (V)	400
Ampere (A)	36 3 phase
Capacity	35 chickens
Max. Temp	320°C (Manual)
Dimensions: (mm)	
Internal	707 (W) x 640 (D) x 670 (H)
External	990 (W) x 860 (D) x 1035 (H)
Weight (kg)	180
Stock Code	CRS-90022



Contact Details

HEAD OFFICE, EXPORTS & CAPE TOWN BRANCH Tel : +27 (21) 907-1000 Fax : +27 (21) 907-1111

JOHANNESBURG BRANCH Tel : (011) 472-4100 Fax : 086 618 6462

DURBAN BRANCH Tel : (031) 569-6290 Fax : (031) 569-6296

EMAIL info@macadams.co.za

WEBSITE www.macadams.co.za