



Macadams Pressure Fryer

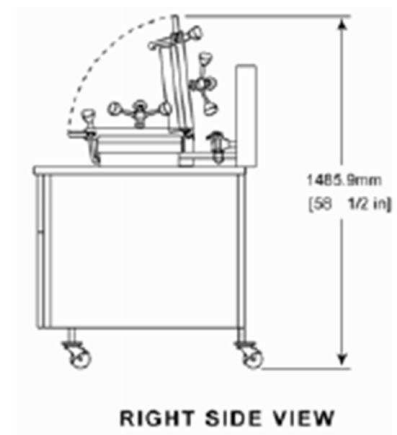
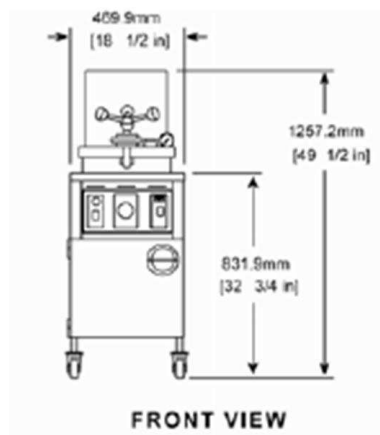
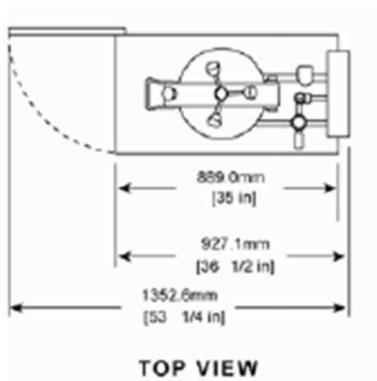


FEATURES & BENEFITS

- High pressure/ low temperature technology.
- 4-head configuration.
- Cooks: chicken, fish, onion rings, potato wedges, egg rolls, biscuits & many more.



	LPF, LPF-F, LPF-FC
Capacity (l)	22.4L
Productivity	6.4 kg Chicken per batch
Power	13.5kW, 220V 50Hz, 68.7 A Three Phase
Operating PSI	12 PSI
Max Temp. (°C)	200
Dimensions (mm)	469.9(W) x 927.1 (D) x 831.9 (H)
Weight (kg)	136.1
Stock Code	BKI-90041



Contact Details

HEAD OFFICE, EXPORTS & CAPE TOWN BRANCH Tel : +27 (21) 907-1000 Fax : +27 (21) 907-1111

JOHANNESBURG BRANCH Tel : (011) 472-4100 Fax : 086 618 6462

DURBAN BRANCH Tel : (031) 569-6290 Fax : (031) 569-6296

EMAIL info@macadams.co.za

WEBSITE www.macadams.co.za