



# Macadams Combibake Deck Ovens



## FEATURES & BENEFITS

- Legs are fitted with castors.
- User friendly instrument panel.
- Doors are supplied with fitted windows to allow the baker to observe the baking process.



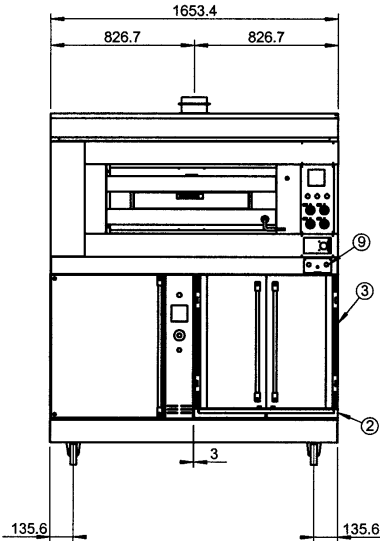


# Technical Specs

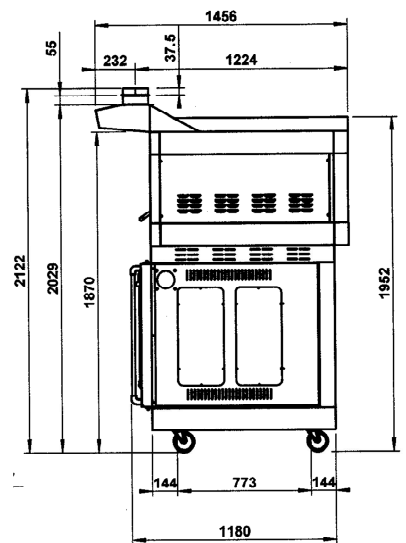
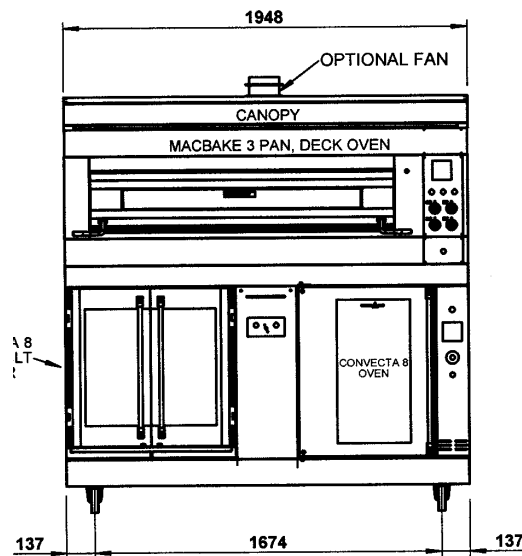
	Combibake 2 & 3 Pan		
	Deck Oven	Convection Oven	Prover
<b>Power Rating (kW)</b> Combibake 2 Pan Combibake 3 Pan		22.5 27.5	
<b>Supply Voltage</b>	400 V, 50 Hz, 3 phase neutral and earth.	400 V, 50 Hz, 3 phase neutral and earth.	400 V, 50 Hz, 3 phase neutral and earth.
<b>Control Voltage (V)</b>	230	230	230

Oven dimensions in mm: exclude all protrusions (door handles, drain exits etc).  
Allow an additional 200mm for protrusions

**Combibake 2 Pan**



**Combibake 3 Pan**



OTHER VOLTAGES AVAILABLE, ON REQUEST

## Contact Details

HEAD OFFICE, EXPORTS & CAPE TOWN BRANCH Tel : +27 (21) 907-1000 Fax : +27 (21) 907-1111

JOHANNESBURG BRANCH Tel : (011) 472-4100 Fax : 086 618 6462

DURBAN BRANCH Tel : (031) 569-6290 Fax : (031) 569-6296

EMAIL [info@macadams.co.za](mailto:info@macadams.co.za)

WEBSITE [www.macadams.co.za](http://www.macadams.co.za)