



Macadams D16 & D20 Divider



FEATURES & BENEFITS

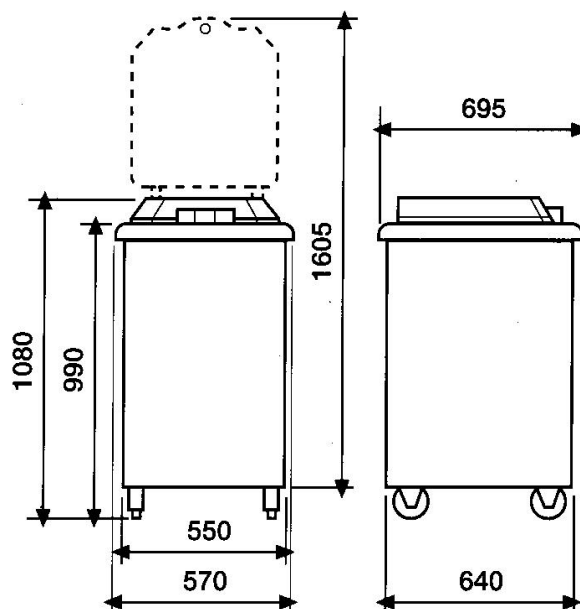
- Heavy framed body.
- Emergency stop button.
- Easy controls.
- Soft dough handling with no excess compression.





Technical Specs

D16 / D20 Divider	
Power Rating (kW)	1.5
Power Supply	400 V, 50 Hz, 6/3.5 A
Number of Divisions	D 16 : 16 (16 kg) D 20 : 20 (16 kg)
Weight Range for Dough Pieces	D 16 : 100 - 1000g D 20 : 100 - 800g
Dimensions (mm)	570 (W) x 695 (D) x 1080 (H)
Weight: (kg)	
Nett	280
Gross	320
Stock Codes	
D16:	DDS - 90002
D20:	DDS - 90001



Contact Details

HEAD OFFICE, EXPORTS & CAPE TOWN BRANCH Tel : +27 (21) 907-1000 Fax : +27 (21) 907-1111

JOHANNESBURG BRANCH Tel : (011) 472-4100 Fax : 086 618 6462

DURBAN BRANCH Tel : (031) 569-6290 Fax : (031) 569-6296

EMAIL info@macadams.co.za

WEBSITE www.macadams.co.za