



Macadams Pizza Deck Oven

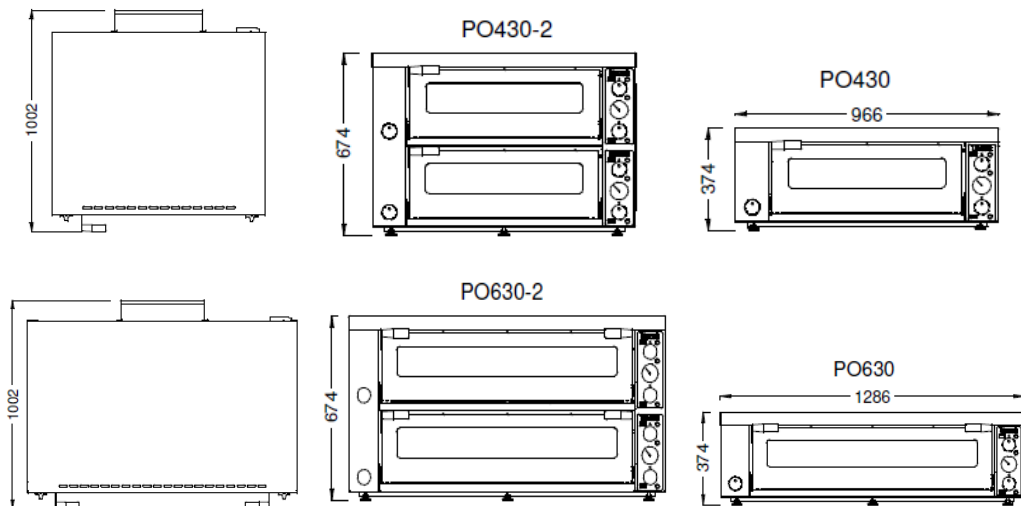


FEATURES & BENEFITS

- Stainless steel body.
- Firebrick base for crisp cooking.
- Has a 20min timer.
- Height adjustable feet and internal light.
- Glass viewing window.
- Thermostatic temperature control to upper elements (80-480° c).



	PO430	PO430-2	PO630	PO630-2
Electrical Supply 3N~ +E 400V 50-60Hz Current Rating (A)	6.1 per phase	12.2 per phase	10.4 per phase	20.8 per phase
Total Power Rating (kW)	4.2	8.4	7.2	14.4
Dimensions Oven Area	620 x 620	620 x 620	940 x 620	940 x 620
External Dimensions	966 (W) x 1002(D) x 374(H)	966 (W) x1002 (D) 674 (H)	128(W) x1002(D) 374 (H) x	1286(W) x1002(D) 674(H)



Contact Details

HEAD OFFICE, EXPORTS & CAPE TOWN BRANCH Tel : +27 (21) 907-1000 Fax : +27 (21) 907-1111

JOHANNESBURG BRANCH Tel : (011) 472-4100 Fax : 086 618 6462

DURBAN BRANCH Tel : (031) 569-6290 Fax : (031) 569-6296

EMAIL info@macadams.co.za

WEBSITE www.macadams.co.za