



Macadams

French Baguette Moulder

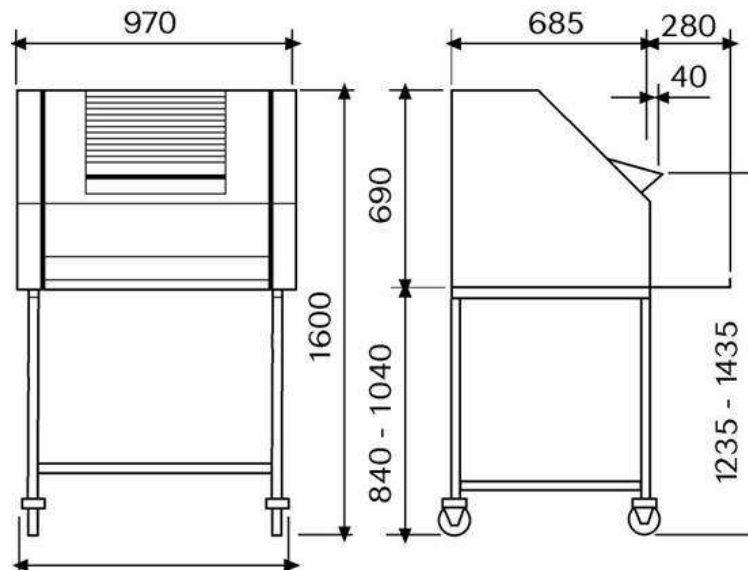


FEATURES & BENEFITS

- Heavy framed thick Aluminium body.
- Emergency stop button.
- One input cylinder to make rolling easy.



	SM 380
Power Rating (kW)	0.375
Supply Voltage	230 / 400 V, 50 Hz 3 phase, neutral & earth
Current Rating at 400 V	1 A
Weight Range for Dough Pieces (g)	50 - 900
Average Output	2500 pieces per hour.
Dimensions (mm)	970(W) x 685(D) x 1600(H)
Weight: (kg)	
Net (with stand)	250
Gross	300



Contact Details

HEAD OFFICE, EXPORTS & CAPE TOWN BRANCH Tel : +27 (21) 907-1000 Fax : +27 (21) 907-1111

JOHANNESBURG BRANCH Tel : (011) 472-4100 Fax : 086 618 6462

DURBAN BRANCH Tel : (031) 569-6290 Fax : (031) 569-6296

EMAIL info@macadams.co.za

WEBSITE www.macadams.co.za