



# Macadams

## Heavy Duty Moulder



### FEATURES & BENEFITS

- Superb results in moulding tin bread
- Sheeting rollers are of non-stick nylon compound.
- Regulates moulding pressure and length of dough pieces.

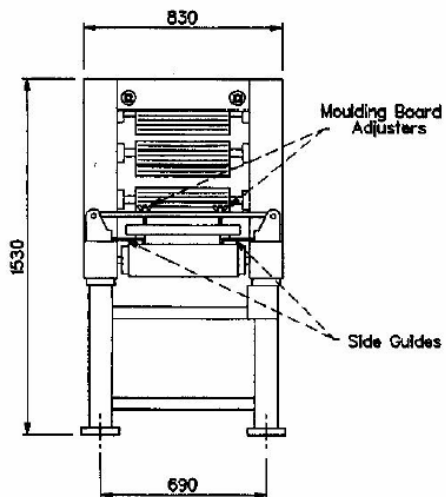




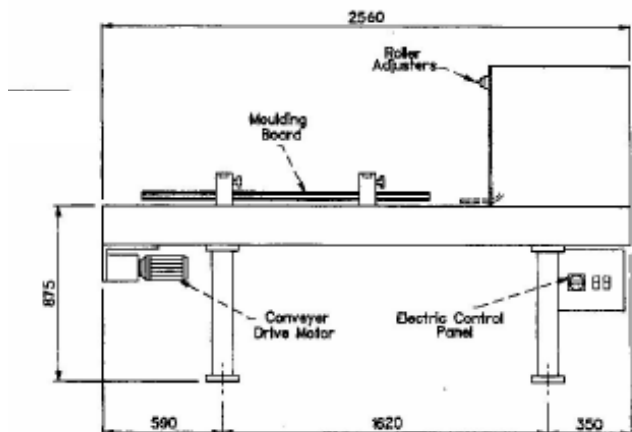
# Technical Specs

Heavy Duty Moulder	
Power Rating (kW)	2.6
Supply Voltage	230 / 400 V, 50 Hz 3 phase, neutral and earth
Current Rating at 400 V	4 A
Belt Drive (kW)	1.1
Sheeting Rollers (kW)	1.5
Capacity	Up to 3000 pieces per hour.
Dough Weight Range (g)	100 g - 1000
Moulding Length (mm)	Up to 450
Weight (kg)	559

FRONT VIEW



SIDE VIEW



## Contact Details

HEAD OFFICE, EXPORTS & CAPE TOWN BRANCH Tel : +27 (21) 907-1000 Fax : +27 (21) 907-1111

JOHANNESBURG BRANCH Tel : (011) 472-4100 Fax : 086 618 6462

DURBAN BRANCH Tel : (031) 569-6290 Fax : (031) 569-6296

EMAIL [info@macadams.co.za](mailto:info@macadams.co.za)

WEBSITE [www.macadams.co.za](http://www.macadams.co.za)