



Macadams 240-2/3

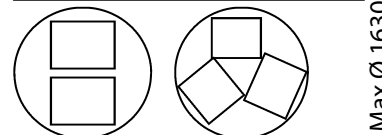
Rack Oven with Smart Controller



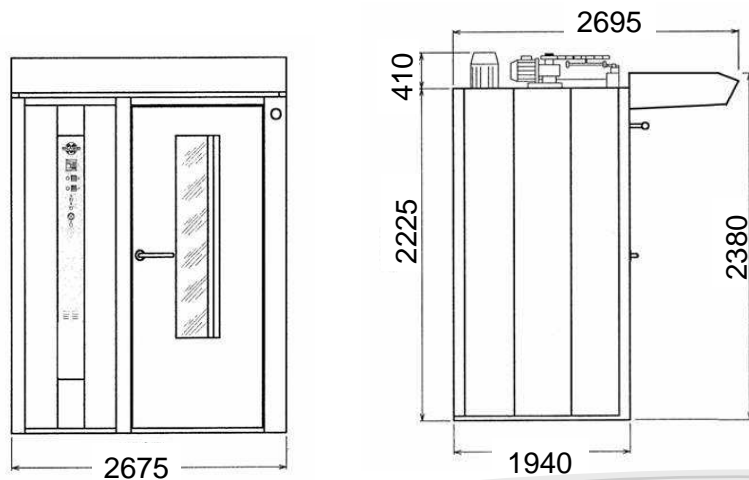
FEATURES & BENEFITS

- New smart control panel
- Platform system with ramp.
- 2 or 3 racks / bake.
- Standard or walk through option
- Electrical or fuel execution
- Canopy optional.
- Auto damper
- Auto extractor
- High grade stainless steel design
- Easy maintenance / hygienic design
- Robust design
- Intuitive control panel



M 240 RACK OVEN With Smart Controller	
Power Rating (kW)	Electrical : 78 Fuel : 118 (burner) 3.0 Electrical
Supply Voltage	400 V, 50 Hz 3 phase, neutral & earth. Other voltages available on request
Control Voltage (V)	230 AC / 24 DC
Current Rating at 400 V	Electrical : 115 A Fuel : 5 A
Baking Surface (m²)	18.7
Product: Standard Bread: 600 - 900 g Rolls: 60 g (6 x 4 / tray) Baguettes: 500 g (6 fluted trays) Pies (foil): 100 g (6 x 4 / tray)	Capacity 240 96 dozen 216 96 dozen
Capacity: 3 by 457 x 762 mm / shelf 2 by 600 x 800 mm / shelf 1 by 800 x 1200 mm / shelf	
Weight (kg)	Electrical : 2285 Fuel : 2462

Oven dimensions in mm: exclude all protrusions (door handles, drain exits etc).
Allow an additional 200mm for protrusions



Contact Details

HEAD OFFICE, EXPORTS & CAPE TOWN BRANCH Tel : +27 (21) 907-1000 Fax : +27 (21) 907-1111

JOHANNESBURG BRANCH Tel : (011) 472-4100 Fax : 086 618 6462

DURBAN BRANCH Tel : (031) 569-6290 Fax : (031) 569-6296

EMAIL info@macadams.co.za

WEBSITE www.macadams.co.za