



# Macadams MW Mixers



## FEATURES & BENEFITS

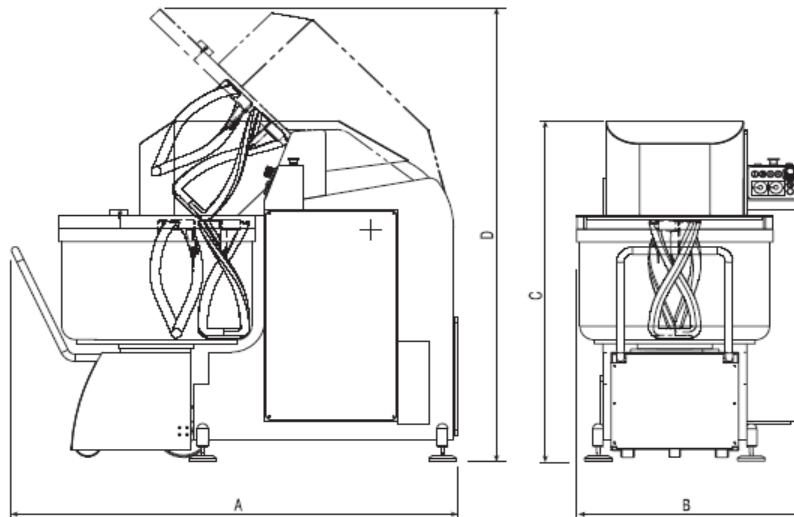
- Mixers has removable bowl and double mixing tool.
- Higher hourly output rates due to short kneading cycle
- Rapid homogenous blending of all ingredients is followed by intensive kneading (dough-friendly)





# Technical Specs

	MW 160	MW 240	MW 400
<b>Power Rating (kW)</b>	2.2	2.2	2.2
<b>Power of Spiral (kW)</b>			
1 <sup>st</sup> Speed	9.0	9.0	26
2 <sup>nd</sup> Speed	18.0	18.0	37
<b>Power of Bowl (kW)</b>	2.2	2.2	2.2
<b>Bowl Volume (l)</b>	270	380	600
Dough Capacity (kg)	160	240	400
Flour Capacity (kg)	100	150	250
<b>Dimensions (mm)</b>	2001(W) x 1027(L) x 1500 (H)	2083(W) x 1102(L) x 1652(H)	2461(W) x 1306(L) x 1800(H)
<b>Weight (kg)</b>	1900	2150	3050



## Contact Details

HEAD OFFICE, EXPORTS & CAPE TOWN BRANCH Tel : +27 (21) 907-1000 Fax : +27 (21) 907-1111

JOHANNESBURG BRANCH Tel : (011) 472-4100 Fax : 086 618 6462

DURBAN BRANCH Tel : (031) 569-6290 Fax : (031) 569-6296

EMAIL [info@macadams.co.za](mailto:info@macadams.co.za)

WEBSITE [www.macadams.co.za](http://www.macadams.co.za)