



Macadams

Mac 500 Roll Moulder



FEATURES & BENEFITS

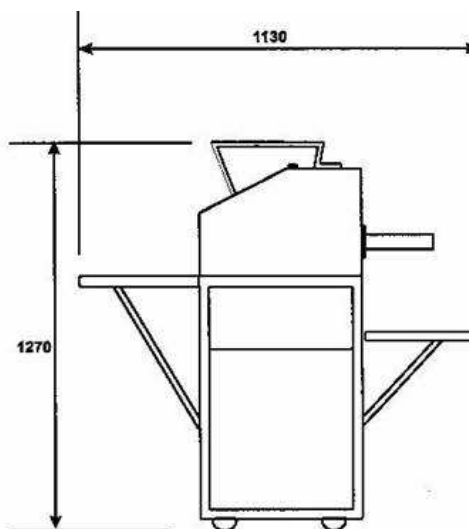
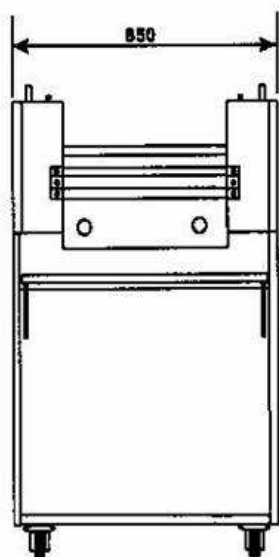
- Durable construction.
- Safe and easy to operate.
- Suited for smaller and medium sized bakeries.
- Even and consistent output.





Technical Specs

| | MAC 5000 |
|-----------------------------------|---|
| Power Rating (kW) | 0.75 |
| Power Supply | 400 V, 50 Hz 3 phase, neutral and earth. Other voltages available on request. |
| Current Rating at 400 V | 2 A |
| Weight Range for Dough Pieces (g) | 30 - 500 |
| Moulding Length (mm) | Up to 450 |
| Adjustable Roller Gap (mm) | 0 - 20 |
| Dimensions (mm) | 810 (W) x 1130 (D) x 1240 (H) |
| Weight (kg) | 115 |



Contact Details

HEAD OFFICE, EXPORTS & CAPE TOWN BRANCH Tel : +27 (21) 907-1000 Fax : +27 (21) 907-1111

JOHANNESBURG BRANCH Tel : (011) 472-4100 Fax : 086 618 6462

DURBAN BRANCH Tel : (031) 569-6290 Fax : (031) 569-6296

EMAIL info@macadams.co.za

WEBSITE www.macadams.co.za