



Macadams BL Bowl Lift

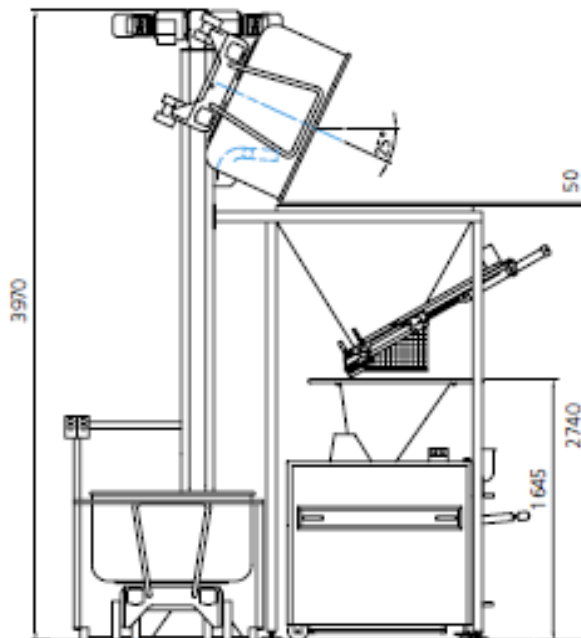


FEATURES & BENEFITS

- Lift speed 5.0 meters/min
- Lift capacity 600kg (bowl including dough)
- Safety guard with safety switch (switch has to be in closed position to lift bowl).
- Two gear motors lift bowl by two separate chains.
- Lift is controlled with push buttons for up and down movements.



BL BOWL LIFT	
Power Rating (kW)	1,1
Max tipping height (mm)	3000
Lifting Capacity (kg)	600
Lifting Speed	5,0 meters/min
Max total height (mm)	4250
Stock Code	GLM-91002



Contact Details

HEAD OFFICE, EXPORTS & CAPE TOWN BRANCH Tel : +27 (21) 907-1000 Fax : +27 (21) 907-1111

JOHANNESBURG BRANCH Tel : (011) 472-4100 Fax : 086 618 6462

DURBAN BRANCH Tel : (031) 569-6290 Fax : (031) 569-6296

EMAIL info@macadams.co.za

WEBSITE www.macadams.co.za