



Macadams Conveyor Pizza Oven



FEATURES & BENEFITS

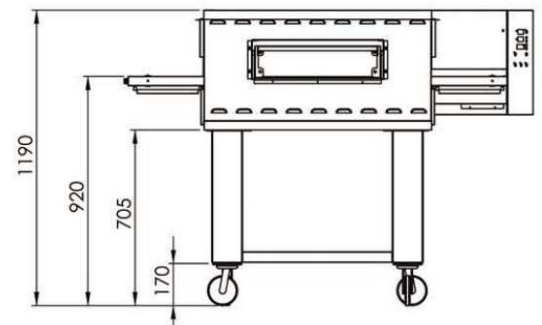
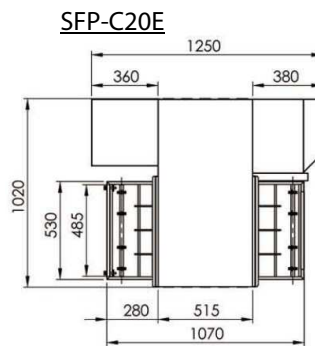
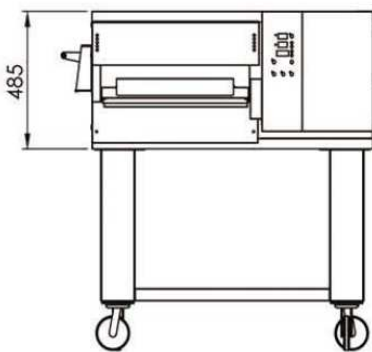
- Stainless steel exterior and interior
- SFP series conveyor ovens are designed for easy cleaning
- Touch panel displays settings temperature, actual temperature and baking time
- Maximum operating temperature 300 centigrade. 3-15 min adjustable baking time





Technical Specs

	SFP-C20E
Electrical:	
Rated Heat Input (kW)	8.5
Supply Voltage (V)	380
	3 phase
Capacity (pcs/h)	106 (15cm) 47 (23 cm) 27 (30 cm) 20 (35.5 cm)
Max. Operator Temperature	300 ° C
Baking Time	3-15 MIN
Heating Zone (mm)	508
Conveyor Width (mm)	485
Conveyor Length (mm)	1070



Contact Details

HEAD OFFICE, EXPORTS & CAPE TOWN BRANCH Tel : +27 (21) 907-1000 Fax : +27 (21) 907-1111

JOHANNESBURG BRANCH Tel : (011) 472-4100 Fax : 086 618 6462

DURBAN BRANCH Tel : (031) 569-6290 Fax : (031) 569-6296

EMAIL info@macadams.co.za

WEBSITE www.macadams.co.za