

Macadams Bread Dividers



FEATURES & BENEFITS

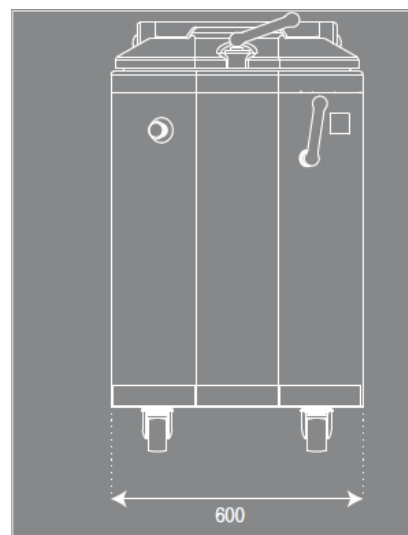
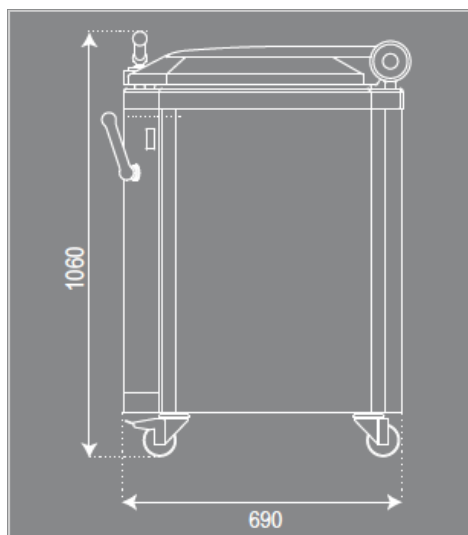
- Flour anti-splatter system
- Soft dough handling with no excess compression.
- Emergency stop button.
- Easy controls.
- Heavy framed body





Technical Specs

	JAC 20 Divider
Power Rating (kW)	1.5
Power Supply	400 V, 50 Hz, 6/3.5 A
Number of Divisions	20
Weight Range for Dough Pieces	D 20 : 100 - 1000g
Dimensions (mm)	600 (W) x 690 (D) x 1060 (H)
Weight (kg)	230
Stock Codes	JAC - 90001



Contact Details

HEAD OFFICE, EXPORTS & CAPE TOWN BRANCH Tel : +27 (21) 907-1000 Fax : +27 (21) 907-1111

JOHANNESBURG BRANCH Tel : (011) 472-4100 Fax : 086 618 6462

DURBAN BRANCH Tel : (031) 569-6290 Fax : (031) 569-6296

EMAIL info@macadams.co.za

WEBSITE www.macadams.co.za