

Macadams

MO-881 Moulder

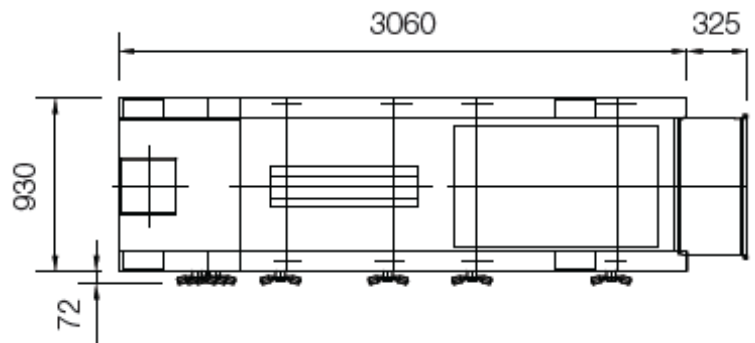
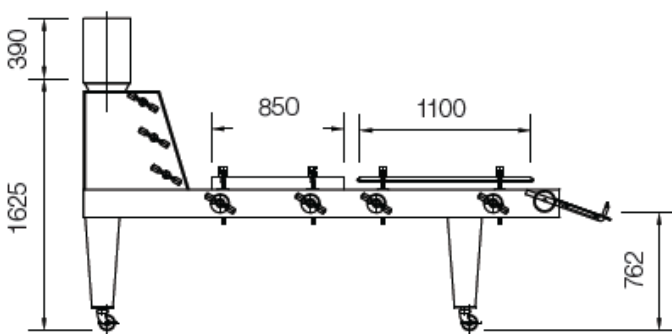


FEATURES & BENEFITS

- Heavy duty moulder for use in industrial bakeries.
- Triple moulding head, curling net and double pressure boards.
- Driven by tension timing belt, noiseless and sustainable. Collection tray with two positions enables outfeed with or without stop.
- Three adjustable pressure rollers with spring loaded scrapers for easy cleaning.
- Two separate pressure boards:
 - First pressure board is delivered in two widths, 220 and 280 mm
 - Foldable, second pressure board 650 x 1100 mm for easy cleaning
- Handles on left or right side must be indicated upon order.



	MO –881
Capacity Range	Up to 3600 dough pieces/hour*
Weight range (g)	30g – 1800g
Working width (mm)	Up to 650mm
Power Supply (kW)	1.1
Weight, net (kg)	630kg
Weight, gross (Carton + Pallet) (kg)	745kg
Volume, gross	3.15 x 1.15 x 2.00 = 7.25m ³
Stock Code	GLM-90002



Contact Details

HEAD OFFICE, EXPORTS & CAPE TOWN BRANCH Tel : +27 (21) 907-1000 Fax : +27 (21) 907-1111

JOHANNESBURG BRANCH Tel : (011) 472-4100 Fax : 086 618 6462

DURBAN BRANCH Tel : (031) 569-6290 Fax : (031) 569-6296

EMAIL info@macadams.co.za

WEBSITE www.macadams.co.za