

# Macadams MO-300 Moulder

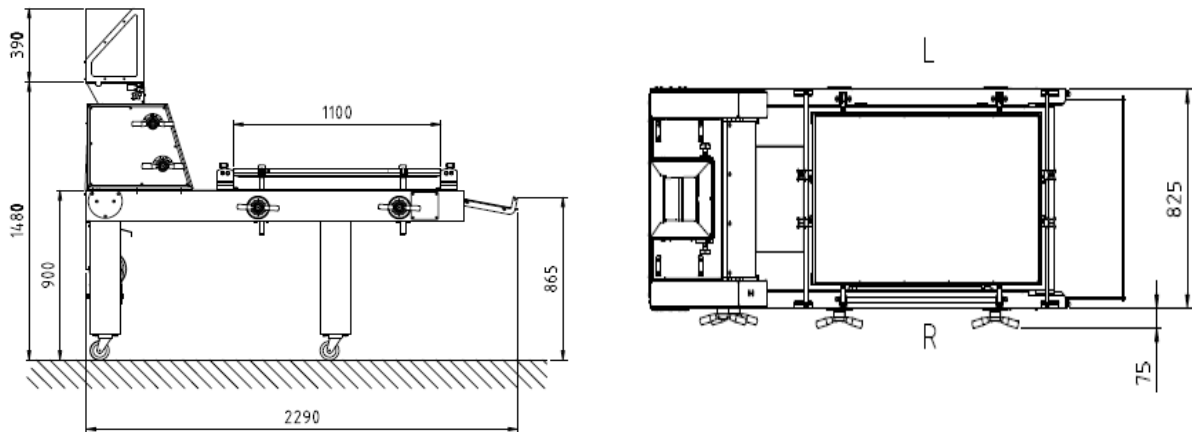


## FEATURES & BENEFITS

- Parallel adjustable side guides for an efficient positioning.
- Collection tray with two positions enables straight line outfeed.
- Centrally adjustable infeed enables a correct positioning of dough.
- Pressure board 650 x 1100 mm is foldable and can be locked in an upright position for cleaning.
- Two pairs of 400mm wide adjustable pressure rollers with spring loaded scrapers for easy cleaning.



	MO -300
Capacity Range	Up to 3000 dough pieces/hour*
Weight range (g)	30– 1800
Working width (mm)	Up to 650
Power Supply (kW)	1.1
Weight, net (kg)	550
Weight, gross (Carton + Pallet) (kg)	610
Volume, gross	2.15 x 1.00 x 1.92 = 4.13m <sup>3</sup>
Stock Code	GLM-90001



## Contact Details

HEAD OFFICE, EXPORTS & CAPE TOWN BRANCH Tel : +27 (21) 907-1000 Fax : +27 (21) 907-1111

JOHANNESBURG BRANCH Tel : (011) 472-4100 Fax : 086 618 6462

DURBAN BRANCH Tel : (031) 569-6290 Fax : (031) 569-6296

EMAIL [info@macadams.co.za](mailto:info@macadams.co.za)

WEBSITE [www.macadams.co.za](http://www.macadams.co.za)