



# Macadams Pressure Fryer

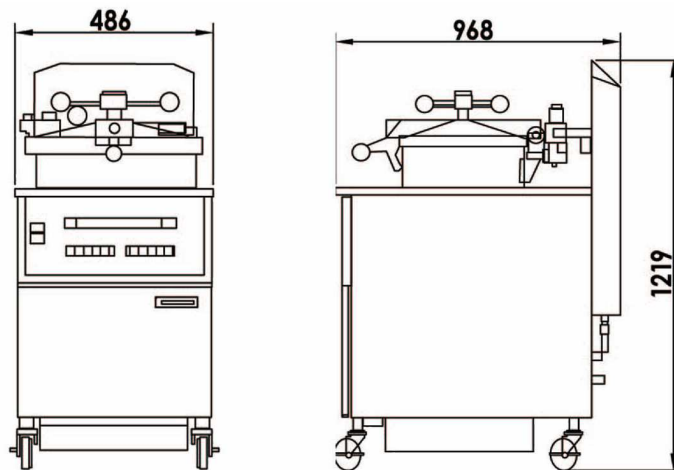


## FEATURES & BENEFITS

- High pressure/ low temperature technology.
- 4-head configuration.
- Cooks: chicken, fish, onion rings, potato wedges, egg rolls, biscuits & many more.



| <b>SFF-P25E</b>  |                           |
|------------------|---------------------------|
| Capacity (l)     | 22.4                      |
| Productivity     | 6.4kg Chicken per batch   |
| Power (kW)       | 12                        |
| Rated Pressure   | 0.085 MPa                 |
| Max Temp. ( °C ) | 200                       |
| Dimensions (mm)  | 486(W) x 968(D) x 1219(H) |
| Stock Code       | PFS-90001                 |



## Contact Details

HEAD OFFICE, EXPORTS & CAPE TOWN BRANCH Tel : +27 (21) 907-1000 Fax : +27 (21) 907-1111

JOHANNESBURG BRANCH Tel : (011) 472-4100 Fax : 086 618 6462

DURBAN BRANCH Tel : (031) 569-6290 Fax : (031) 569-6296

EMAIL [info@macadams.co.za](mailto:info@macadams.co.za)

WEBSITE [www.macadams.co.za](http://www.macadams.co.za)