



Macadams SD-180 Dough Divider



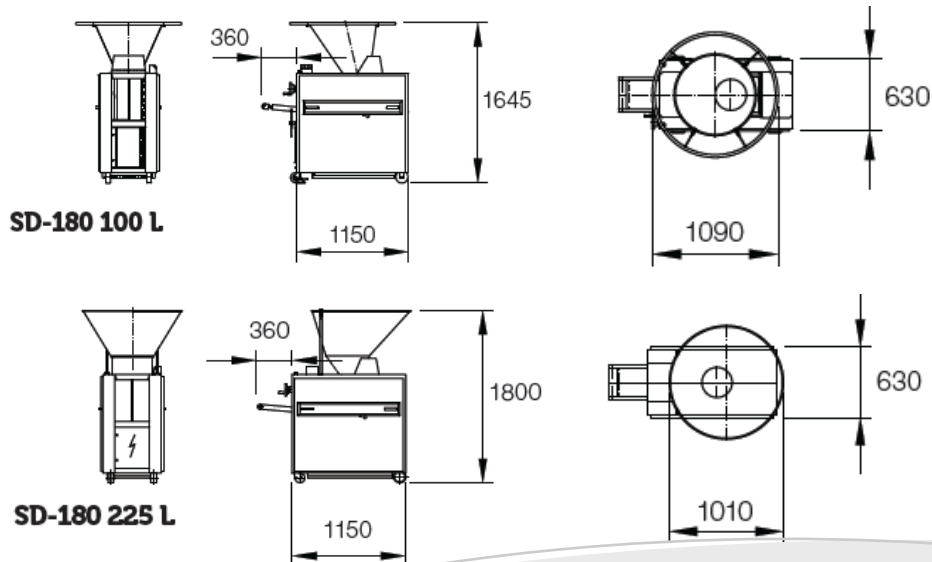
FEATURES & BENEFITS

- Weight Range: 120 - 1600 grams
- An automatic suction-fed dough divider for all types of dough. High weight accuracy and flexible weight range makes it suitable for all types of bakeries.
- Variable speed with frequency converter as standard.
- Easy handling and cleaning. All covers in stainless steel and removable, dough knife in stainless steel with a unique emptying function (hopper reaches down to the dough knife).
- Extremely silent 72 dB(A) with an oil reservoir of 17 litres which is easy to fill.



	SD-180
Capacity Range	750 - 1800 dough pieces/hour*
Weight range (g)	
SD-180	120g - 1600g
SD-180XS	70g - 1000g
SD-180XL	180g - 2300g
Power Supply (kW)	1.1 kW
Weight, net (kg)	540kg
Weight, gross (Carton + Pallet) (kg)	600kg
Volume, gross	1.75 x 1,20 x 2,00 = 4.20m ³
Stock Code	
SD-180	GLD-90001
SD-180XS	GLD-90002
SD-180XL	GLD-90002

* Optional Extras: Non Stick Coating
Bigger Hopper (225Lt)
Flour Duster



Contact Details

HEAD OFFICE, EXPORTS & CAPE TOWN BRANCH Tel : +27 (21) 907-1000 Fax : +27 (21) 907-1111

JOHANNESBURG BRANCH Tel : (011) 472-4100 Fax : 086 618 6462

DURBAN BRANCH Tel : (031) 569-6290 Fax : (031) 569-6296

EMAIL info@macadams.co.za

WEBSITE www.macadams.co.za