



Macadams

SD-600 Dough Divider



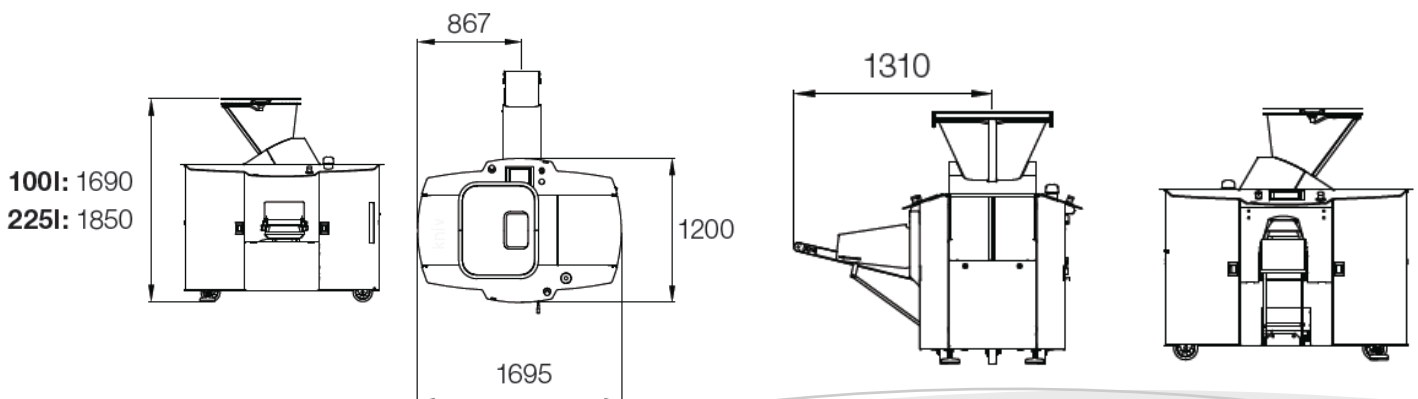
FEATURES & BENEFITS

- A stainless multi pocket dough divider in 3-pocket or 2/4-pocket execution. Stepless adjustable dough pressure, adjustable while running. Robust chassis for industrial production.
- Weight range, two versions: 150-1000 g as 3-pocket and 250-1700/100-700 g as 2/4-pocket. Variable speed with frequency converter.
- Capacity 1500-4500 pcs/h as 3-pocket, 2000-6000 pcs/h as 4-pocket and 1000-3000 pcs/h as 2-pocket (the measuring pistons are easily connected two and two).
- Dough chambers in high quality Ni-resist steel ensures high weight accuracy and long durability.
- Very user friendly 8" touch screen for settings and storing recipes. Stepless adjustable pneumatic system (compressed air required, min 6 bar) for very gentle handling of different types of dough. Can be adjusted during the operation.
- Reliable dividing system for very high weight accuracy and separate drive on outfeed belts, equipped with smart monitored lubrication systems to get long life of the machine.
- PLC touch screen for menu-based navigation controls. 100 lit stainless steel hopper as standard (~70 kg dough) and 225 lit stainless steel hopper (~150 kg dough) as an option.
- Quick release on outfeed conveyor for easy cleaning. High attention on both safety and hygiene aspects in the development.



	SD-600
Capacity Range	
2 Pocket	1000 - 3000 dough pieces/hour*
3 Pocket	1500 - 4500 dough pieces/hour*
4 Pocket	2000 - 6000 dough pieces/hour*
Weight range (g)	
2 Pocket	250g - 1700g
3 Pocket	150g - 1000g
4 Pocket	100g - 700g
Power Supply (kW)	3.5 kW
Compressed Air	Min 6 Bar
Weight, net (kg)	1100kg
Weight, gross (Carton + Pallet) (kg)	1175kg
Stock Code	
3 Pocket	GLD-90007
2 / 4 Pocket	GLD-90008

* Optional Extras: Non Stick Coating
Bigger Hopper (225Lt)
Flour Duster



Contact Details

HEAD OFFICE, EXPORTS & CAPE TOWN BRANCH Tel : +27 (21) 907-1000 Fax : +27 (21) 907-1111

JOHANNESBURG BRANCH Tel : (011) 472-4100 Fax : 086 618 6462

DURBAN BRANCH Tel : (031) 569-6290 Fax : (031) 569-6296

EMAIL info@macadams.co.za

WEBSITE www.macadams.co.za