



Macadams Macmoulder



FEATURES & BENEFITS

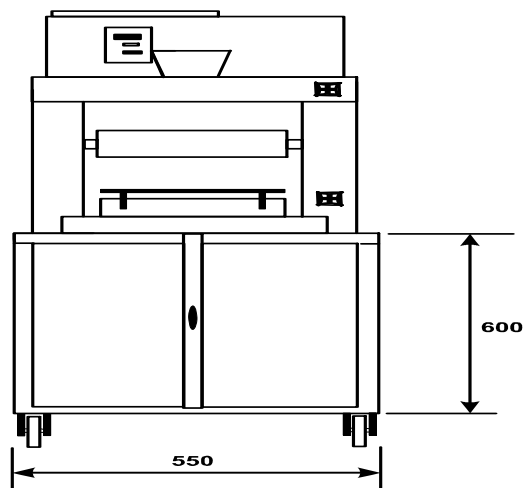
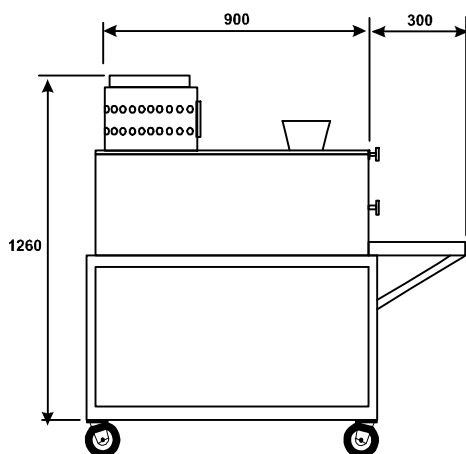
- Simple controls.
- Durable construction.
- Safety features.





Technical Specs

MACMOULDER	
Power Rating (kW)	0.55
Power Supply	400 V, 50 Hz, 3 phase, neutral and earth Other voltages on request.
Current Rating at 400 V	1 A
Dough Weight Range (g)	100 - 900
Moulding Length (mm)	Up to 400
Adjustable Roller Gap (mm)	0 - 20
Dimensions (mm)	550 (W) x 1200 (D) x 1260 (H)
Weight (kg)	135



Contact Details

HEAD OFFICE, EXPORTS & CAPE TOWN BRANCH Tel : +27 (21) 907-1000 Fax : +27 (21) 907-1111

JOHANNESBURG BRANCH Tel : (011) 472-4100 Fax : 086 618 6462

DURBAN BRANCH Tel : (031) 569-6290 Fax : (031) 569-6296

EMAIL info@macadams.co.za

WEBSITE www.macadams.co.za