



Macadams

Multi Station Depositor

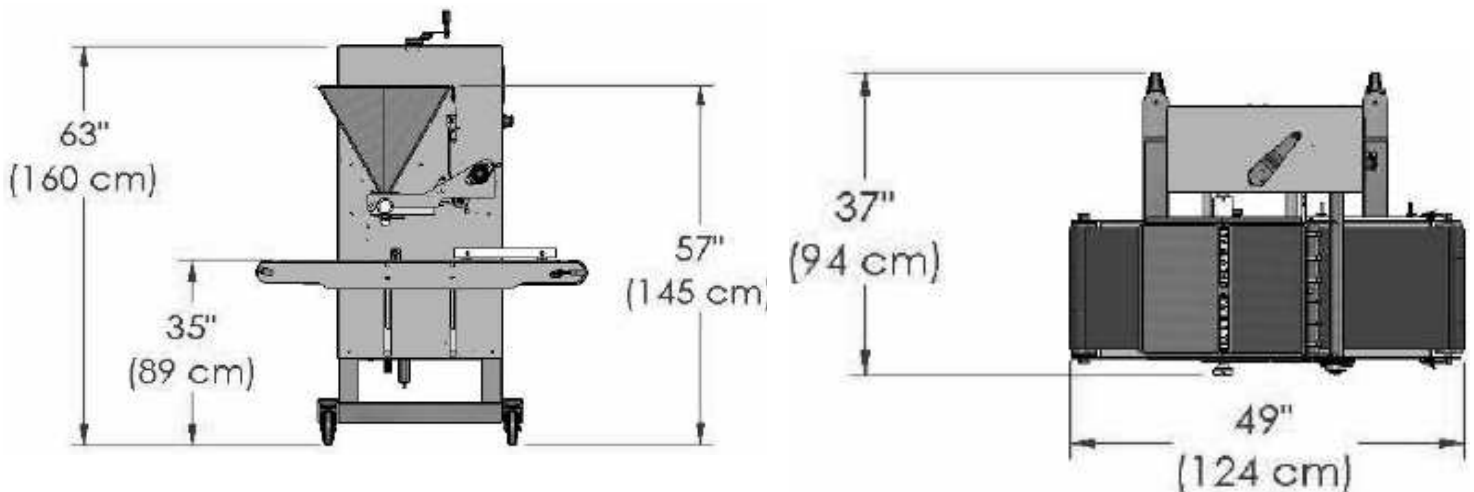


FEATURES & BENEFITS

- High speed production rates
- Accurate individual portion control
- Deposit chunks and particulate without damage
- Gentle portioning with less damage on fragile , delicate products
- Quick design 4, 6 and 8 port configurations-tool free in minutes
- Fits all types of pans and trays up to 18" (46cm) wide
- Servo driven (electronic) depositor
- Integrated conveyor lift motion
- Programmable touch screen color display with recipes



	M400	M600	M800
Product Cylinder	5cm (2")	5cm (2")	4.5 cm (1.75")
Deposit Volume per Cylinder			
Min	9ml (0.3 oz)	9ml (0.3 oz)	9ml (0.3 oz)
Max	284ml (9.6 oz)	284ml (9.6 oz)	216ml (7.3 oz)
Performance Specifications			
Speed	Up to 120 rows (cycles)/min based on deposit size and product consistency		
Power	Air: 141.5 liter/min @ 6.9 Bar (5 CFM @ 80PSI) Electric: 220V AC, Single Phase 10A		
Volume	As per deposit volumes shown in the table above.		
Chunk/Particle Size	Up to 13mm (1/2") of soft fruit type fillings		



Contact Details

HEAD OFFICE, EXPORTS & CAPE TOWN BRANCH Tel : +27 (21) 907-1000 Fax : +27 (21) 907-1111

JOHANNESBURG BRANCH Tel : (011) 472-4100 Fax : 086 618 6462

DURBAN BRANCH Tel : (031) 569-6290 Fax : (031) 569-6296

EMAIL info@macadams.co.za

WEBSITE www.macadams.co.za