



Macadams Pizza Press



FEATURES & BENEFITS

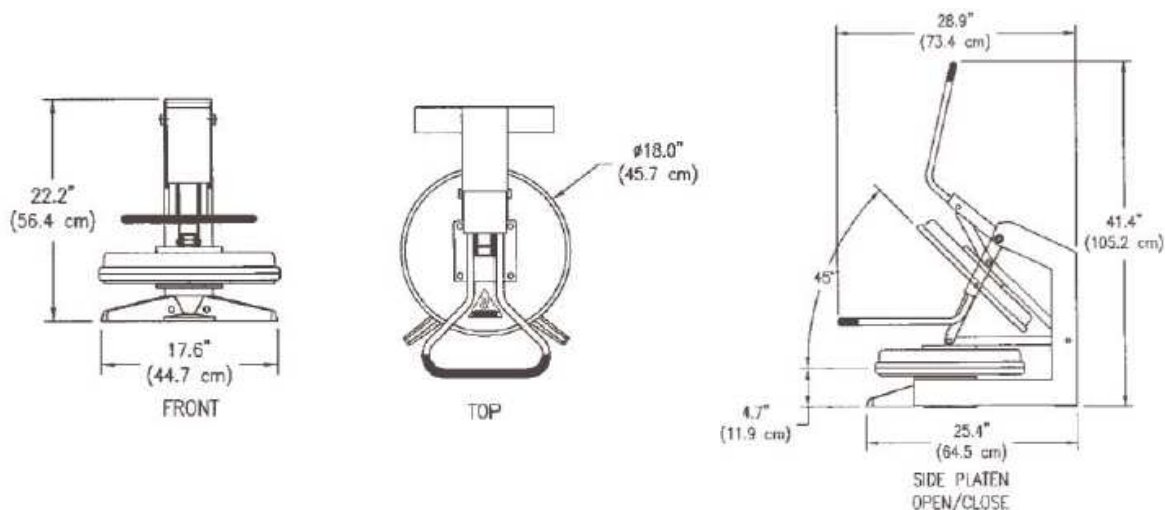
- Digital control with timer and counter.
- Heated upper platen helps cold dough flow faster.
- Manually operated, no motor or compressors required.
- Flattens all size pizzas up to and including 18" (46 cm) diameter.
- Produces crusts equal to hand tossed product.
- Safe to operate and clean.
- Compact size fits just about anywhere.
- Fast cleaning since no flour required.





Technical Specs

PIZZAPRO Economy Pizza Press	
Electrical Data	120v / 60hz 1450 / 12.5amps 240v / 50 / 60hz 1450 / 6.04amps
Features: ON / OFF Switch Temperature Control Automatic Timer	Yes Yes Yes
Maximum Heat	0 - 450°F
Shipping Weight	70 kg
Dimensions (mm)	447 (w) x 734 (d) x 1052 (h) mm



Contact Details

HEAD OFFICE, EXPORTS & CAPE TOWN BRANCH Tel : +27 (21) 907-1000 Fax : +27 (21) 907-1111

JOHANNESBURG BRANCH Tel : (011) 472-4100 Fax : 086 618 6462

DURBAN BRANCH Tel : (031) 569-6290 Fax : (031) 569-6296

EMAIL info@macadams.co.za

WEBSITE www.macadams.co.za