

**KOENIG**  
TECHNOLOGY

# HERKULES

the robust bowl hoist for universal use



THE BETTER SOLUTION

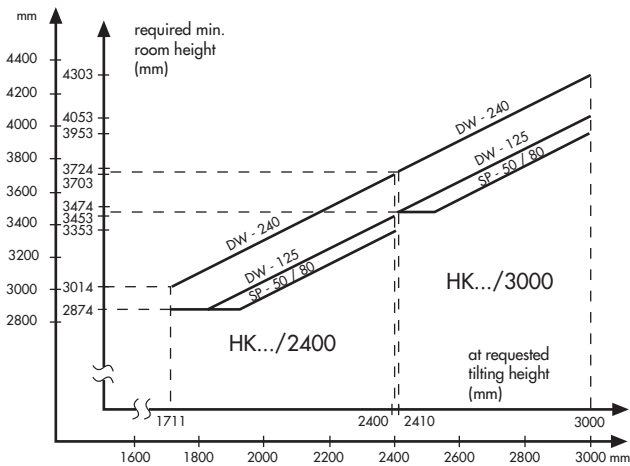
## The HERKULES concept:

The HERKULES bowl hoist lifts and tilts dough bowls with a weight of up to 600 kg (HK600) or 1100 kg (HK1100). The bowl is tilted during the final lifting phase by means of a caster.

The dough bowls are absolutely safely fixed during the lifting, tilting and lowering process.

## The HERKULES features:

- high stability due to base in T-shape
- robust guide pillar with less than 10° inclination
- complete emptying of the bowl due to big tilting angle
- holding device can be ideally adjusted for bowls of other brands
- optional scraping device for difficult doughs
- right or left hand model
- the following executions are possible:
  - stationary
  - lengthwise moveable
  - fixed and screwed on tightly
  - crosswise moveable (special execution)
- time saving operation due to quick lifting and lowering
- user-friendly execution, easy maintenance



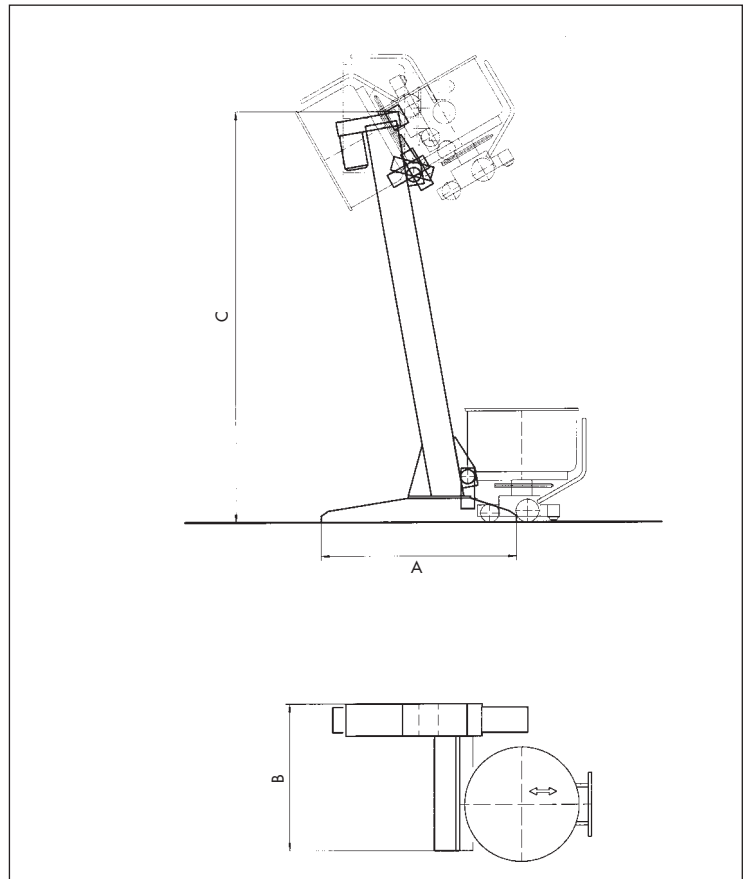
## The HERKULES programme:

type	execution	A	B	C	tilting height*) min./max.
HK../2400	stationary	1700	1260	2874	1710-2400
HK../3000	stationary	1700	1260	3474	2410-3000
HK../2400	lengthwise moveable	2700	1680	2874	1710-2400
HK../3000	lengthwise moveable	2700	1680	3474	2410-3000
HK../2400	fixed and screwed on tightly	650	450	2874	1710-2400
HK../3000	fixed and screwed on tightly	650	450	3474	2410-3000

\*) the tilting height can be adjusted in steps of 50 mm



Scraping device



Electrical load: HK 600...3 kW, HK 1100...4 kW

**KOENIG**  
TECHNOLOGY

**KÖNIG-Maschinen Gesellschaft m.b.H**  
A-8045 Graz-Andritz, Stattegger Straße 80  
Tel.: ++43/316/6901-0, Fax: ++43/316/6901-115  
e-mail: info@koenig.co.at, www.koenig.co.at