

Macadams Straight Dough Line



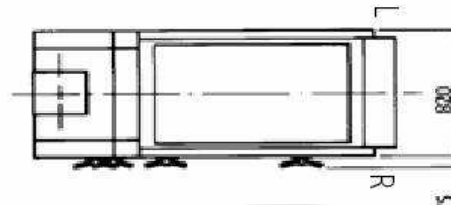
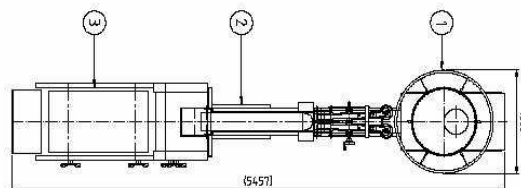
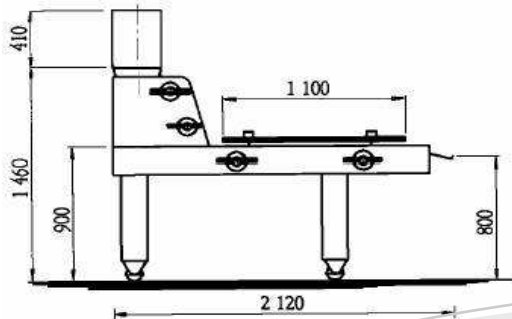
FEATURES & BENEFITS

- Weight range: 70 - 1000 grams (sd-180 xs).
150 - 1200 grams (ce-100 i).
30 - 1800 grams (mo-671 midi).
- Throughput: 750 - 1800 pieces/hour (sd-180 xs).
up to 1800 pieces/hour (ce-100 i).
up to 3000 pieces/hour (mo-671 midi).



	SD-180 XS SUCTION DOUGH DIVIDER	CE-100 I CUP ELEVATOR, without base	MO-671 MOULDER "MIDI"
Power Supply	400V, 1.1kW, 2.6A/fuse 16A	400V, 0.55kW, 1.5A/fuse 10A OR 230V, 0.55kW, 2.7A/fuse 10A	1.1kW
Capacity Range	750 - 1800 pcs/h	Up to 1800 pcs/h	Up to 3000 pcs/h
Weight Range (g)	70 - 1000	150 - 1200	30 - 1800
Variable Speed	520 - 1200 pcs/h	-	-
Hopper (l)	100	-	-
Working Width (mm)	-	-	Up to 650
Dimensions (mm)	670 (W) x 1510 (L) x 1646 (H)	1360 (L) x 2000 (H)	820 (W) x 2120 (L) x 1870 (H)
Weight: (kg)			
Net	540		550
Gross	600		610
SD-180 XS SUCTION DOUGH DIVIDER CE-approved hopper guard. Stainless steel covers. Stainless steel dough knife. 5 m connection cable and CEE-plug. Frequency converter drive.	CE-100 I CUP ELEVATOR, without base Photocell controlled, working step by step to link up cone rounder with moulder type MO- 671. With electric cabinet mounted on elevator.	MO-671 MOULDER "MIDI" Two pair of rollers. Foldable pressure board with two wedges in food approved plastic.	ACCESSORIES for SD-180 Flour duster, mechanical (stainless steel). Hander-up system mounted on extended outlet conveyor.

- 1 - Dough Divider SD 180 XS with Hander Up
2 - Cup Elevator CE 100
3 - Moulder MO 671



Contact Details

HEAD OFFICE, EXPORTS & CAPE TOWN BRANCH Tel : +27 (21) 907-1000 Fax : +27 (21) 907-1111

JOHANNESBURG BRANCH Tel : (011) 472-4100 Fax : 086 618 6462

DURBAN BRANCH Tel : (031) 569-6290 Fax : (031) 569-6296

EMAIL info@macadams.co.za

WEBSITE www.macadams.co.za