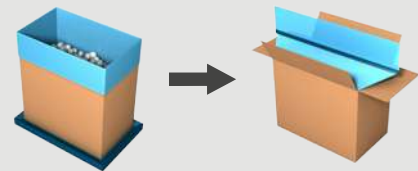


BAG DECUFFER SEALER DS-11

When a filled box enters the machine, the DS-11 automatically decuffs, stretches and heat seals the bag.



COMBINE WITH
**THE CASE
CLOSER**

Protect your product

- The DS-11 guarantees a **perfect seal**.
- Tamper evident.

Maximize your productivity

- Up to **15 cases/minute**.
- Quick format change.



Watch our videos
at [pattyn.com](https://www.pattyn.com)

TECHNICAL SPECIFICATIONS DS-11

Perfect seal

- Stretching avoids wrinkles before sealing.
- Impulse heat sealing from both sides.
- Optional decuffer control for film detection.

High speed

- Heavy duty roller conveyor and stopper system for high speed case transfer of filled cases.
- Fast air evacuation before sealing.

Equipped with colour touch panel for easy operation

Hygienic design, easy to clean



Mechanical bag decuffing



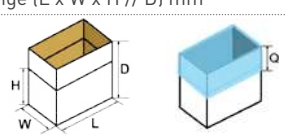
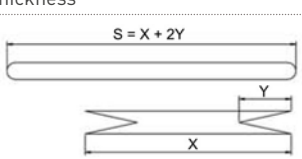
Decuffing finger

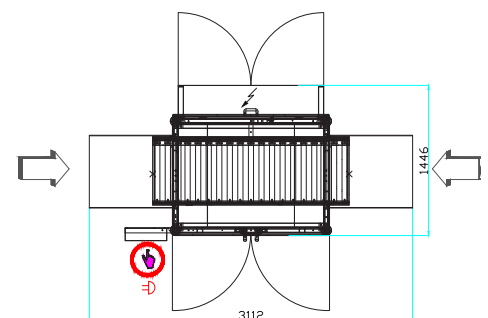


Bag leakproof sealing



Stretcher plate with decuffer control

CONTAINER SPECIFICATIONS (For other dimensions, please contact Pattyn)	
Type	Cases, boxes, trays
Range (L x W x H // D) mm	Min. 300 (L) x 200 (W) x 130 (H) Max. 600 (L) x 410 (W) // 650 (D)
	Outside dimensions
130 mm < H < 190 mm	Small adaptations required
H < 130 mm	Box lift is necessary, reduce of output
W > 330 mm and 155 < H < 190	Small adaptations required
W > 330 mm and H < 155 mm	Box lift is necessary, reduce of output
FILM SPECIFICATIONS	
Type	PE (LDPE, HDPE)
Thickness	12 µm – 35 µm
	X = L+15 Y = (W+45)/2 S = max 1080 mm L + W + 40 ≤ S ≤ L + W + 90 140 ≤ Q ≤ 180 mm
OUTPUT AND CONSUMPTION	
Output	Standard 12 c/min, up to 15 c/min Standard 10 c/min, up to 13 c/min for SL
Installed power	3 kW
Voltage	3 x 400 V + N + E / 50 Hz
Air supply	6 bar / 1/2" min
Air consumption	30 NI/cycle
Weight	800 kg
OPTIONS (More options are available, please contact Pattyn)	
Fast machine: speed above 12 to 15 cases/minute	
Gasflushing unit	
Box lift	
Decuffer control on stretcher plates for film detection	
Access point for remote support	
DS-11 Max for bigger cases	Min. 400 (L) x 250 (W) // 190 (H) Max. 800 (L) x 500 (W) // 650 (D)
Output DS-11 Max	Up to 8 cases / minute



Machine height 2670 mm

Pattyn Packing Lines nv
Industriepark 'Blauwe Toreen'
Hoge Hul 2, 8000 Brugge - Belgium

T +32 (0) 50 450 480
info@pattyn.com
www.pattyn.com



The description, pictures and information given have an indicative value. We reserve the right to make changes without notice. Information and content is property of Pattyn. For customised executions please contact Pattyn. DS-11 2017 - V01

PATTYN[®]

Turnkey solutions for industrial packaging.