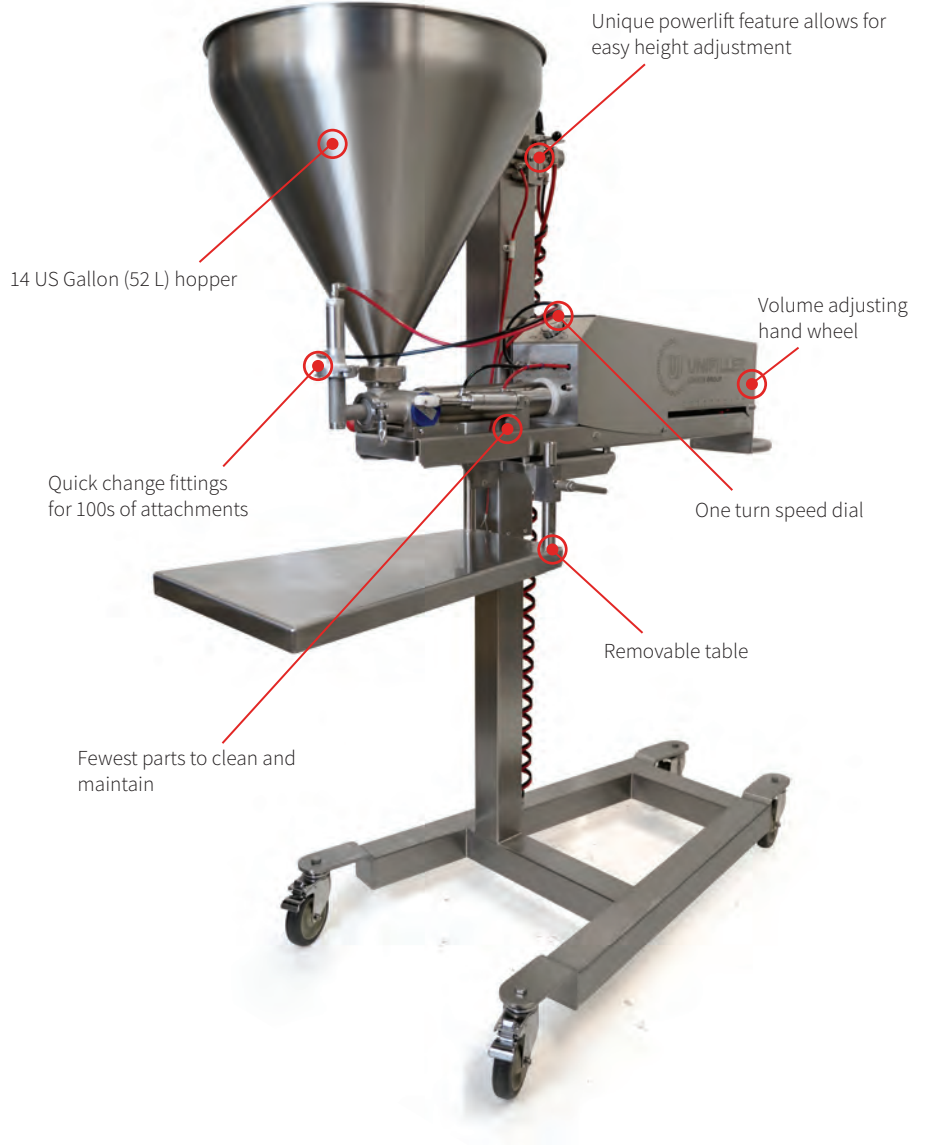




UNIFILLER
LINXIS GROUP



UNIVERSAL 1000i

Also Available: Servo Model

The Universal 1000i can be used for clean depositing of relatively viscous to liquid products, with and without chunks, such as batters, fruit fillings, sauces, delicate mousse fillings, salad dressings, soups, deli salads and more. This depositor can be fitted with a wide variety of attachments and accessories including depositing heads and hand held nozzles. For more information visit www.unifiller.com.



AIR POWER

4 CFM @ 80 psi
(113 L/min @ 5.5 Bar)



SPEED

Up to 140 deposits/min.



PARTICLE SIZE

Up to 3/4 inch
(19 mm)



DEPOSIT RANGE

0.5 oz (14 ml) to
36 oz (1060 ml)